



Main

Range of product	Harmony STO & STU
Product or component type	Touch panel screen
Software designation	Vijeo Designer
Operating system	Harmony
Processor name	CPU ARM9

Complementary

Display size	5.7 inch
Display type	QVGA TFT colour touchscreen
Display colour	65536 colours
Display resolution	320 x 240 pixels QVGA
Touch panel	Analogue
Backlight lifespan	50000 hours
Brightness	16 levels
Character font	Taiwanese (traditional Chinese) Japanese (ANK, Kanji) Chinese (simplified Chinese) ASCII Korean
[Us] rated supply voltage	24 V DC
Supply	External source
Supply voltage limits	20.4...28.8 V
Inrush current	30 A
Power consumption in W	6.8 W
Number of pages	Limited by internal memory capacity
Processor frequency	333 MHz
Memory description	Application memory 16 MB Back up of data 64 kB
Integrated connection type	1 USB 2.0 type mini B 1 USB 2.0 type A COM1 serial link - female RJ45 - RS232C/RS485 (rate: <= 115.2 kbits/s) power supply - removable screw terminal block 1 Ethernet - RJ45

Disclaimer: This documentation is not intended as a substitute for and is not to be used for determining suitability or reliability of these products for specific user applications

Realtime clock	Access to the PLC real-time clock
Downloadable protocols	Uni-TE Modbus TCP/IP Third party protocols Modbus
Fixing mode	Ø 22 mm hole
Enclosure material	PC/PBT and PAA
Marking	With Schneider logo CE
Height	129.15 mm
Width	163 mm
Depth	56.5 mm


Environment

Immunity to microbreaks	7 ms
Standards	UL 1604 FCC Class A IEC 61000-6-2 EN 61131-2 UL 508
Product certifications	UL class 1 Div2 T4A ou T5 C-Tick CULus Marine
Ambient air temperature for operation	0...50 °C
Ambient air temperature for storage	-20...60 °C
Relative humidity	0...85 % without condensation
Operating altitude	<= 2000 m
IP degree of protection	IP20 (rear panel) conforming to IEC 60529 IP65 (front panel) conforming to IEC 60529
NEMA degree of protection	NEMA 4X front panel (indoor use)
Shock resistance	15 gn for 11 ms conforming to IEC 60068-2-27
Vibration resistance	+/- 3.5 mm (f = 5...9 Hz) conforming to IEC 60068-2-6 1 gn (f = 9...150 Hz) conforming to IEC 60068-2-6
Resistance to electromagnetic fields	10 V/m conforming to IEC 61000-4-3

Packing Units

Unit Type of Package 1	PCE
Number of Units in Package 1	1
Package 1 Weight	872 g
Package 1 Height	7.2 cm
Package 1 width	18.8 cm
Package 1 Length	26.8 cm
Unit Type of Package 2	S03
Number of Units in Package 2	8
Package 2 Weight	7.6 kg
Package 2 Height	30 cm
Package 2 width	30 cm
Package 2 Length	40 cm
Unit Type of Package 3	P12
Number of Units in Package 3	192
Package 3 Weight	179.5 kg
Package 3 Height	130 cm
Package 3 width	80 cm
Package 3 Length	120 cm

Offer Sustainability

REACH Regulation	REACH Declaration
EU RoHS Directive	Pro-active compliance (Product out of EU RoHS legal scope) EU RoHS Declaration
Mercury free	Yes
RoHS exemption information	Yes
China RoHS Regulation	China RoHS declaration
WEEE	The product must be disposed on European Union markets following specific waste collection and never end up in rubbish bins
Upgradeability	Upgradeable through digital modules and upgraded components 

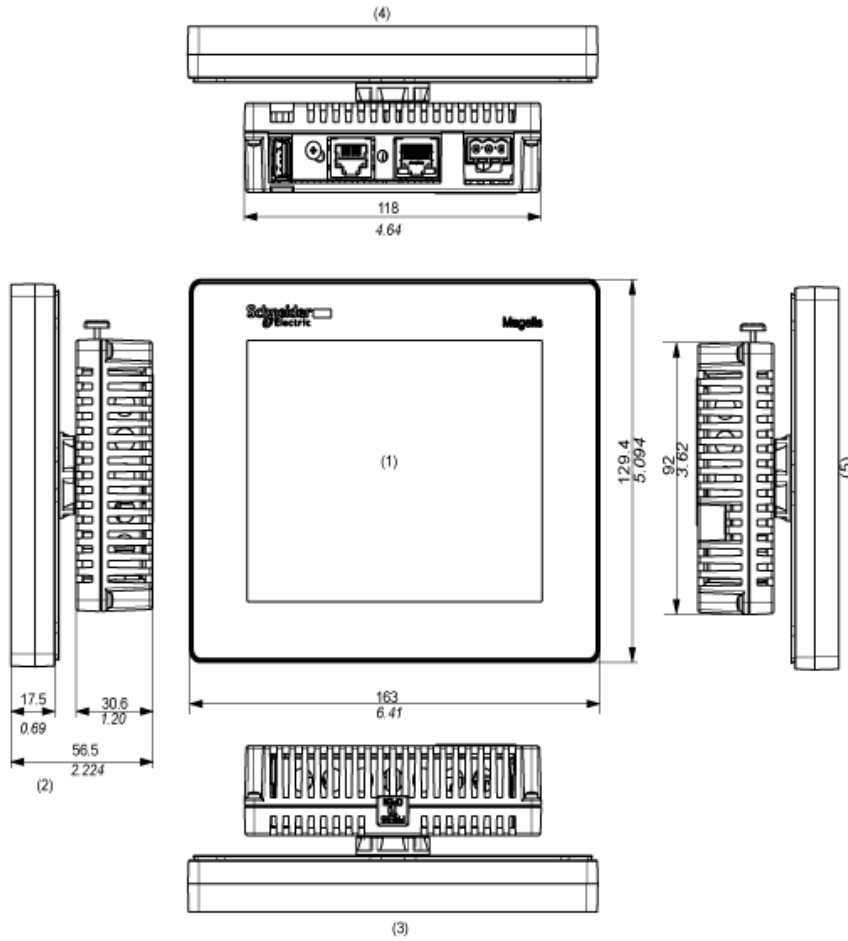
Contractual warranty

Warranty	18 months
----------	-----------

Display and Rear Modules

Dimensions

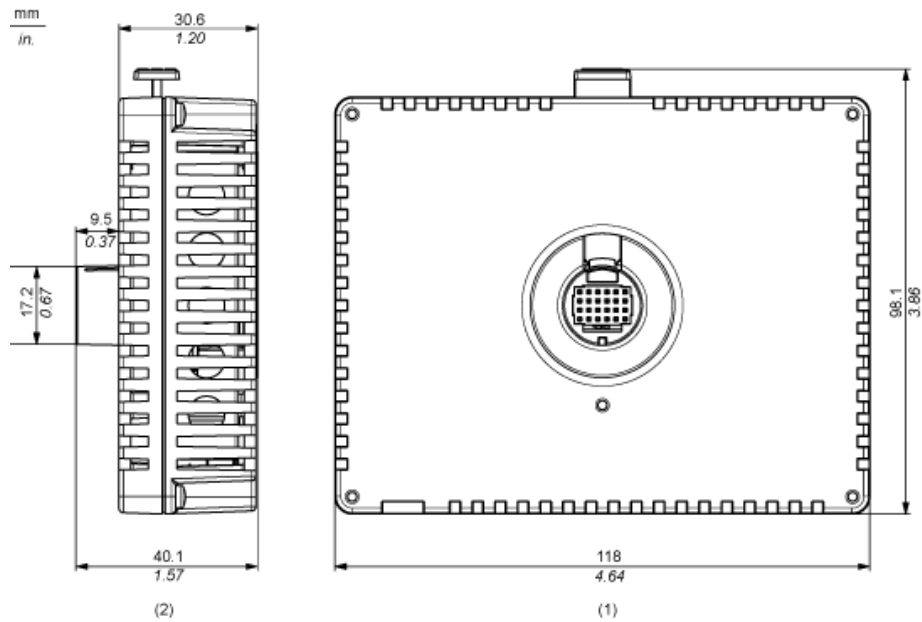
mm
in.



- (1) Front
- (2) Right side
- (3) Top
- (4) Bottom
- (5) Left side

Rear Module

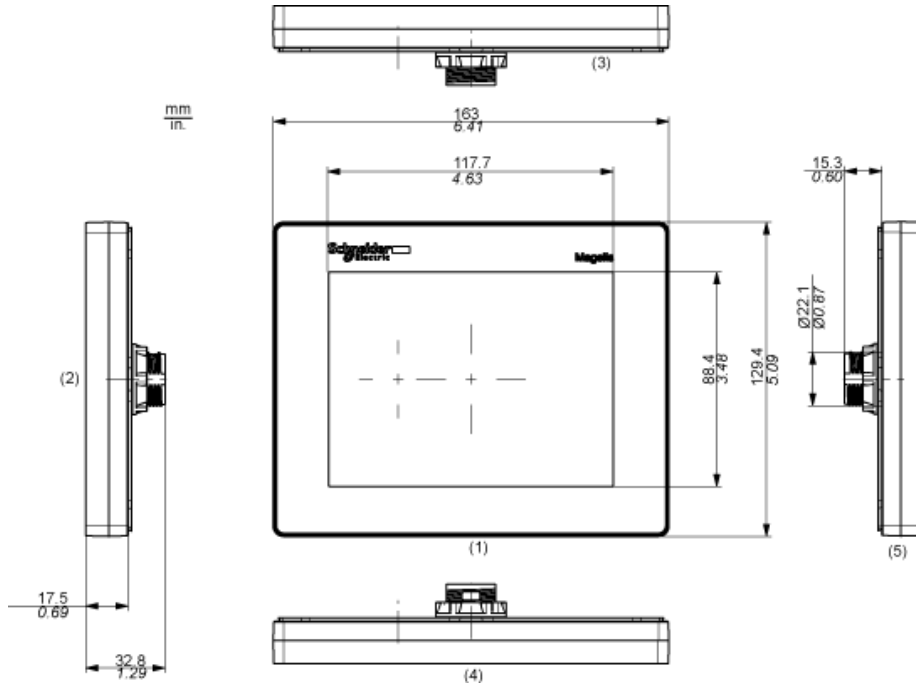
Dimensions



- (1) Front
- (2) Right Side

Display Module

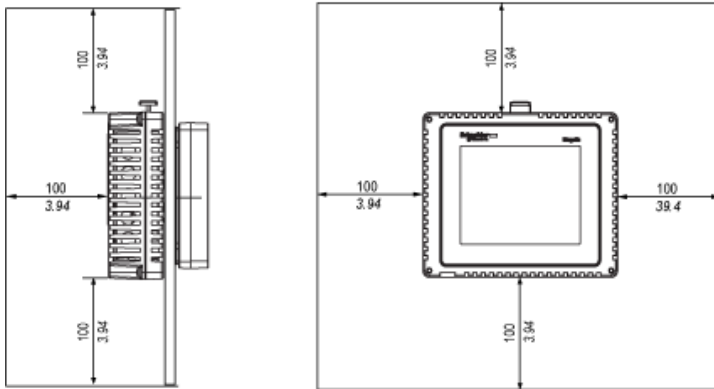
Dimensions



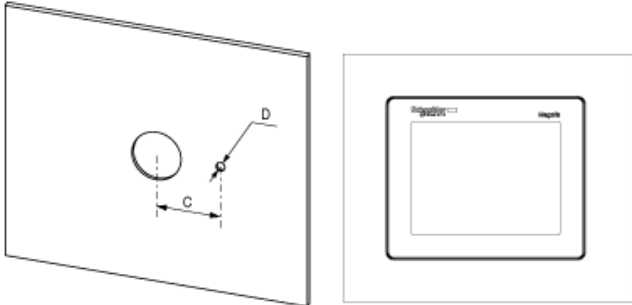
- (1) Front
- (2) Right Side
- (3) Bottom
- (4) Top
- (5) Left Side

Clearance

mm
in.



Panel Cut-out Dimensions



C (mm)	C (in.)	D (mm)	D (in.)
+0	+0	+0	+0
30.00	1.18	4.00	0.15
-0.20	-0.007	-0.20	-0.007

NOTE: With the tee option, the rotating torque that can be supported by the display module is 6 Nm (53.10 in-lb).